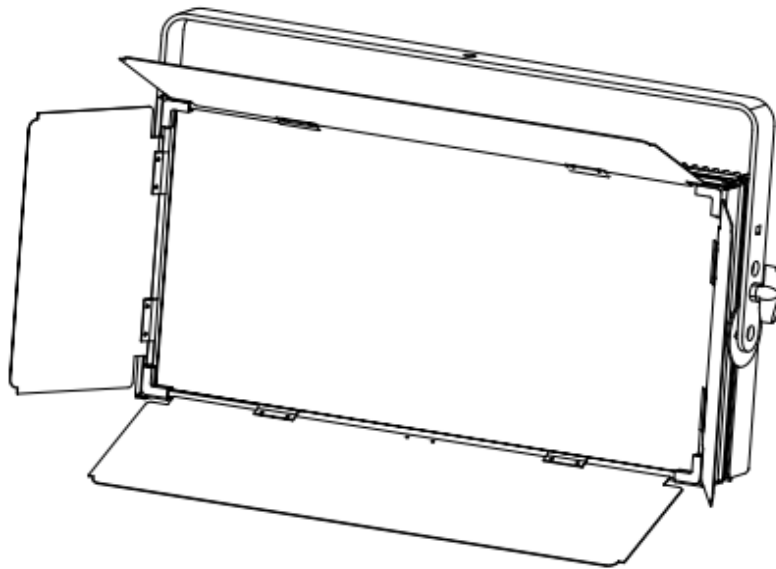





SOFT LED PANEL
EP300 Bi-Color



User Manual

CE RoHS  IP20

1 SAFETY INSTRUCTIONS



CAUTION

Be careful with your operations. With a dangerous voltage you can suffer a dangerous electric shock when touching wires!

This device has left the factory in perfect condition. In order to maintain this condition and to ensure a safe operation, it is absolutely necessary for the user to follow the safety instructions and warning notes written in this user manual.



IMPORTANT

Damages caused by the disregard of this user manual are not subject to warranty. The dealer will not accept liability for any resulting defects or problems.

If the device has been exposed to temperature changes due to environmental changes, do not switch it on immediately. The arising condensation could damage the device.

Leave the device switched off until it has reached room temperature.

This device falls under protection-class I. Therefore it is essential that the device be earthed.

The electric connection must carry out by qualified person. The device shall only be used with rate voltage and frequency.

Make sure that the available voltage is not higher than stated at the end of this manual.

Make sure the power cord is never crimped or damaged by sharp edges. If this would be the case, replacement of the cable must be done by an authorized dealer.

Always disconnect from the mains, when the device is not in use or before cleaning it. Only handle the power cord by the plug. Never pull out the plug by tugging the power cord.

During initial start-up some smoke or smell may arise. This is a normal process and does not necessarily mean that the device is defective, it should decrease gradually.

Please don't project the beam onto combustible substances.

Fixtures cannot be installed on combustible substances, keep more than 50cm distance with wall for smooth air flow, so there should be no shelter for fans and ventilation for heat radiation.

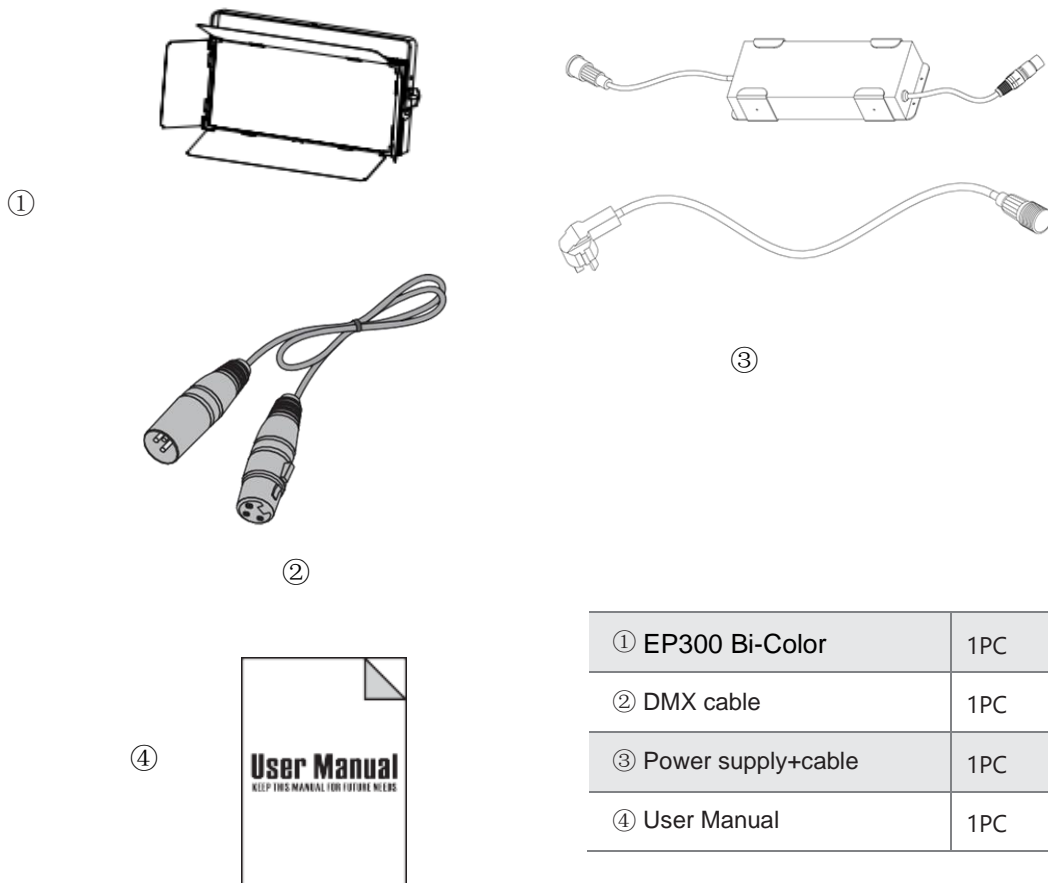
If the external flexible cable or cord of this luminaire is damaged, it shall be exclusively replaced by the manufacturer or his service agent or a similar qualified person in order to avoid a hazard.

2 Unpacking

Thank you for choosing EverSirius soft LED Panel EP300 Bi-Color. For your own safety, please read this manual before installing the device. This manual covers the important information on installation and application. Please install and operate the fixture with the following instructions. Meanwhile, please keep this manual well for future needs.

EverSirius EP300 Bi-Color is made of a new type of high temperature strength of cast aluminum casing with nice outlook. The fixture is designed and manufactured strictly following CE&RoHS standards, complying with international standard DMX512 protocol. It's available independently controlled and linkable with each other for operation. And it is applicable for studios, TV stations, theaters, large-scale live performances, and so on.

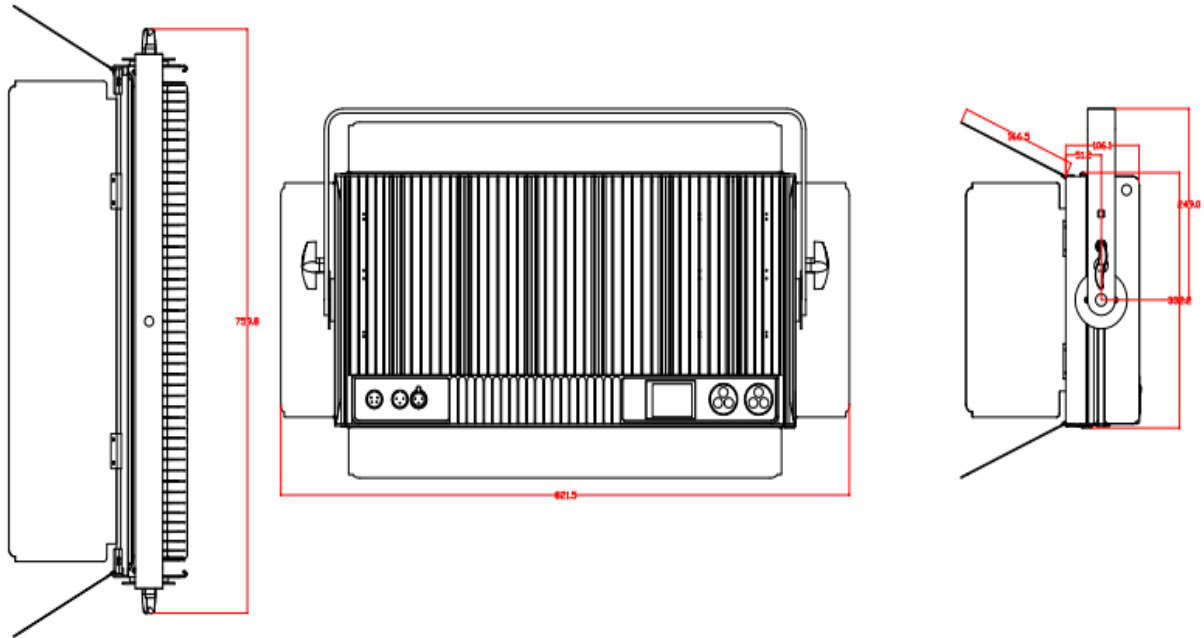
EP300 Bi-Color adopts 2112PCS 0.28W LED (Daylight+Tungsten) which features high brightness and stability. Please carefully unpack it when you receive the fixture and check whether it is damaged during the transportation. And please check whether the following items are included inside the box:



① EP300 Bi-Color	1PC
② DMX cable	1PC
③ Power supply+cable	1PC
④ User Manual	1PC

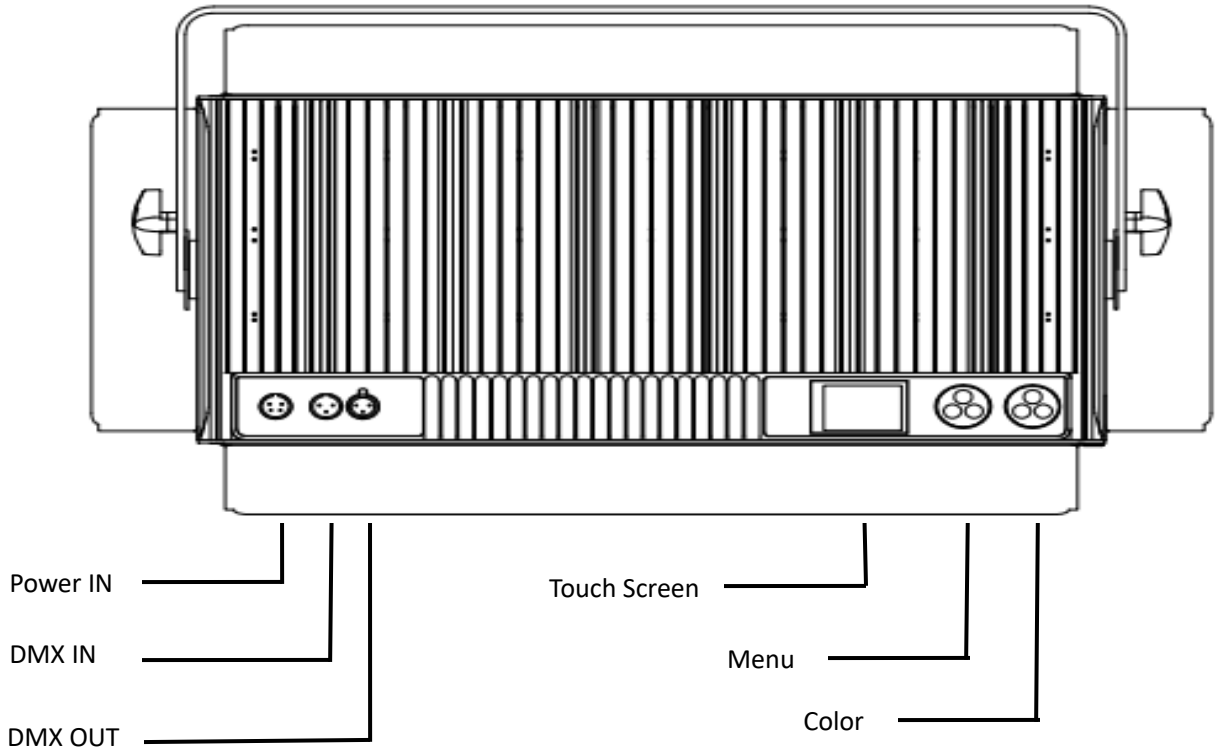
3 FEATURES & SPECIFICATIONS

Features:
*2112PCS*0.28W premium quality and high CRI LED (Daylight + Tungsten)
*3000K - 6000K adjustable color temperature
*50,000 hours life time and low power consumption
*Color Rendering Index (CRI): Ra≥95
*0~100% linearly adjustable
*High intensity, long throw and 180° wide field angle
*Housing made by rugged, Die casting Aluminum
*High-strength single handle design
*Barn door included
*4 kinds of dimming curve
*Dimming Frequency: 500HZ - 25000HZ optional
*2 DMX channels
*Control Protocol: DMX and Master/Slave control system
*LCD with touch screen
*Fan-less Silent cooling system
*Working Temperature: -10~40°C
*IP20 protection rating
Specifications:
*Input Voltage:AC100-240V 50/60Hz
*Max. Power: 300W
*Dimensions: 760(D)*106(W)*415.6(H)mm
*Net Weight: 12kg
*Gross Weight: 15kg
*Packing size: 84*49.5*19cm(1pc/carton)

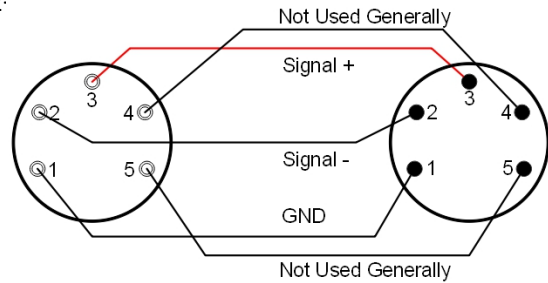
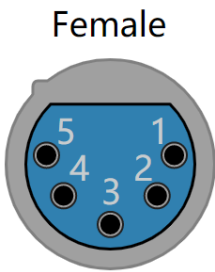


4 DMX-512 CONTROL CONNECTIONS

Connect the provided XLR cable to the female 5-pin XLR output of your controller and the other side to the male 5-pin XLR input of the moving head. You can chain multiple moving head together through serial linking. The cable needed should be two core, screened cable with XLR input and output connectors. Please refer to the diagram below.
 DMX-512 connection with DMX terminator



- Pin1: Signal Common
- Pin2: Data 1-
- Pin3: Data 1+
- Pin4: Data 2-
- Pin5: Data 2+



DMX Lead (5 pin XLR - 5 pin XLR)

For installations where the DMX cable has to run a long distance or is in an electrically noisy environment, it is recommended to use a DMX terminator. This helps in preventing corruption of the digital control signal by electrical noise. The DMX terminator is simply an XLR plug with a 120 Ω resistor connected between pins 2 and 3, which is then plugged into the output XLR socket of the last fixture in the chain. Please see illustrations below.

5 Product Features

- **2 kinds of running model**
 - External control mode (Slave model)
 - ◆ DMX 512 controller control (2 kinds channel modes)
 - ◆ Master/slave model control (auto match the signal from controller and the Master light, no need to set by menu)
 - static mode (Master model)
 - ◆ It can fix any color without the controller
- **Non-linear dimmer and linear dimmer**
 - The speed of dimmer can be set under the controller control
- **Screen Protect**
 - It will enter blank screen without any operate on the keyboard in 30 seconds. Press any keys then it can quit screen protection.
- **Temperature Protection**
 - It can be set to temperature protection mode
- **Can be Reverse display**

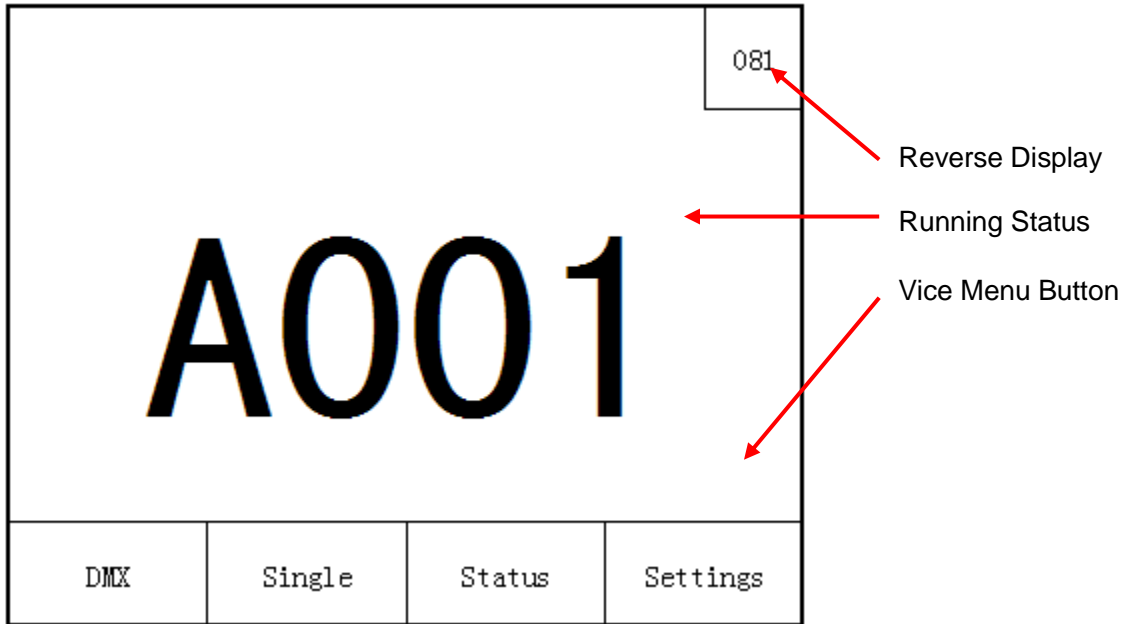
Multi-light working in the same time

When using the controller to control multiple lights to work together, the controller just sends the channel data. And please take attention for the follow situation:

1. There will be many situations make the lights are not synchronization in the beginning. (For example: the different time of opening the light, or different time of them connect to the controller) .In this case, you can change value of the controller(for example push 20 to 0, and back to 20), then it can be synchronization.
2. Due to crystal frequency of different lights are not the same exactly, so it may not be synchronization after long time.
3. If need to keep synchronization for long time, there are two ways to do so:
 - A. Using the controller to edit program, auto run effect, then they must be synchronization.
 - B. Using the Maser/Slave model

6 Main Menu

6.1 Main Menu



6.2 Operation Status

Mode	Display	Description
DMX Mode	Dxxx	“D” stands for DMX mode
Temperature Mode	M-WP	“M” stands for stand Master, “WP” stands for “White Point”

7 Vice Menu

7.1 Master Mode:

Menu	State	Operation
Intensity	Dimmer (0~100%)	Press knob 1 to enter or exit the editing of address data. (Turn left or right for changing the data)
White Point	Color temperature (3000~6000K)	

7.2 Status

Software	Name of software
Version	Version
Temperature	Show the current temperature of the fixture
DMX Status	Show“OK”(Slave, with DMX signal), “NONE”(Slave, without DMX signal), “Master”(Master)
.....	(other)

7.3 Settings

Menu	State	Option	Mark
Touch Screen Calibration	Touch Screen Calibration		
Dimmer Frequency	Choose the dimmer frequency	500HZ	Increase or decrease with data of 100HZ
		
		25000HZ	
Dimmer Curve	Choose the dimmer curve	Standard	
		Incandescent	
		Linear	
		Quick	
Backlight	Adjust the Backlight brightness	10%~100%	Increase or decrease with data of 5%
Backlight Timeout	Set the screen protect time	screen protect or screen protect after 5~60 seconds	Increase or decrease with data of 5
Load Factory Settings	Reset		

7.4 Screw operation

For example of “changing the brightness under the master mode”

1. In main menu, turn the knob 1 and choose “Master”, press knob 1 for enter.
2. In the menu of “white point”, turn the knob 1, choose the “Intensity”
3. Press knob 1 enter editing status.
4. Turn knob 1 for choosing the brightness (Long press for increase or decrease continuously)
5. Press knob 1 exit edit status.

8 DMX Menu



Enter DMX mode:

1. If you are in DMX mode, the main menu will turn into DMX menu automatically after 5 seconds
2. Menu of DMX address (DMX mode) will turn into DMX menu automatically after 5 seconds

Quit DMX mode

1. Screw mode: Press knob 2.
2. Touch mode: Touch any area out of “DMX” in DMX menu (press “DMX” is enter the menu for setting DMX address)

DMX Menu Operation:

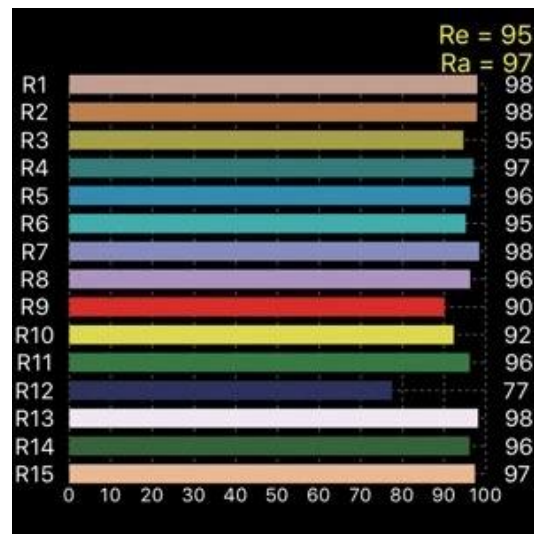
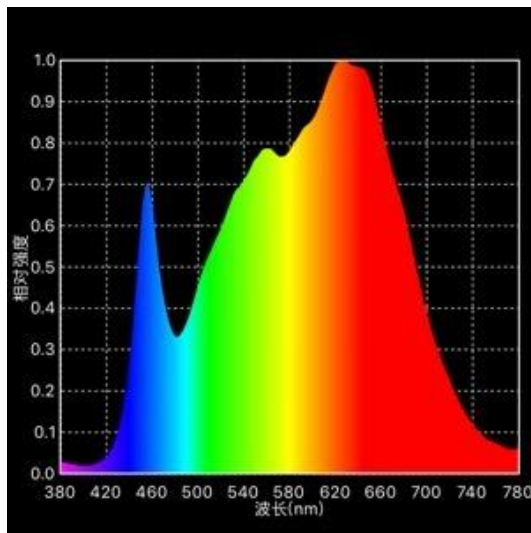
1. DMX mode: When the DMX 512 signal is connected correctly and the data of channel 1 which is bigger than 0, use the received DMX data value for dimmer and temperature control (See the channel data sheet). This moment knob 1 and knob 2 can not be used in dimmer; knob 1 only use for menu operation. For example, Changing the DMX address: press knob 1 to enter or exit the editing status. (Turn left or right for changing the DMX address)
2. Screw mode: When disconnect DMX signal or the channel 1 data is 0, can use knob 1 for the dimmer, knob 2 for color temperature.

9 DMX CHANNELS

Channel	Data	Function	Mark	Channel 2 data mnemonic	
1	0	Screw Mode	Knob 1 is for dimmer		
	1~255	Dimmer			
2	0~11	3000K	Each 8 data is for a color temperature	8 = 1*8	Totally 31 kinds of color temperature. Quick color: If you need the color of N, then take the data value of N*8. For example you need the color 1: 1*8, to push the channel data in 8.
	12~19	3100K		16 = 2*8	
	20~23	3200K~5800K		(V = N*8)	
	5			240 = 30*8	
	236~243	5900K	248 = 31*8		
244~255	6000K	Color temperature 31			

10 Photographic Chart (Spectrogram & CRI)

Ra ≥ 95



11

OPERATION & SPECIFICATIONS

- This 300W Led Soft Panel is for on-site decoration purpose.
- Don't turn on the light fixture if it's been through severe temperature difference like after transportation because it might damage the fixture due to the environment changes. So, make sure to operate the fixture until it is in normal temperature.
- The fixture should be kept away from strong shaking during any transportation or movement.
- Don't pull up the fixture by only the head, or it might cause damages to the mechanical parts.
- Don't expose the fixture in overheat, moisture or environment with too much dust when installing it. And don't lay any power cables on the floor. Or it might cause electronic shock to the people.
- Make sure the installation place is in good safety condition before installing the fixture.
- Make sure to put the safety chain and check whether the screws are screwed properly when installing the fixture.
- Make sure the lens are in good condition. It's recommended to replace the units if there are any damages or severe scratch.
- Make sure the fixture is operated by qualified personnel who knows the fixture before using.
- Keep the original packages if any second shipment is needed.
- Don't try to change the fixtures without any instruction by the manufacturer or the appointed repairing agencies.
- It is not in warranty range if there are any malfunctions from not following the user manual to operate or any illegal operation, like shock short circuit, electronic shock, lamp broke, etc.

12

INSTALLATIONS

For added protection, mount the fixtures in areas outside walking paths, seating areas, or in areas where the fixture might be reached by unauthorized personnel.

Before mounting the fixture to any surface, make sure that the installation area can hold a minimum point load of 10 times the device's weight.

Fixture installation must always be secured with a secondary safety attachment, such as an appropriate safety cable.

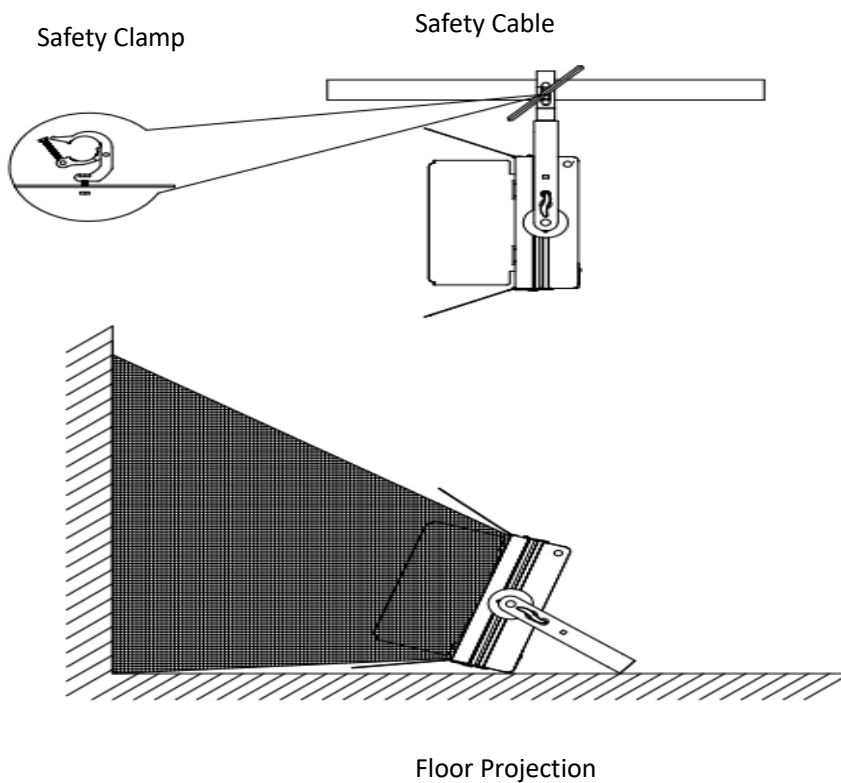
Never stand directly below the device when mounting, removing, or servicing the fixture.

From a ceiling, or set on a flat level surface (see illustration below). Be sure this fixture is kept at least 0.5m (1.5 ft) away from any flammable materials (decoration etc.).

Please ensure that the light fixture is hung using the appropriate "C" clamp or half cheeseboro. A safety chain or cable should also be used as a secondary point of holding the fixture in case the clamp comes loose. Never hang the fixture without a safety chain or cable. There is an eye-bolt on the back of the fixture to which the safety chain or cable can threaded through and then hung from the secondary point. Make sure the Gel frame (Gel holder) is clipped into position correctly and cannot come loose.

If you are not qualified or have any doubts about hanging the light fixture, then do NOT hang it.

Do not clamp the safety cable to the U bracket or clamp. That is not a secondary safety point. A secondary safety point is any point that will adequately hold the led soft panel light if the "C" clamp or half cheeseboro fails. Then the safety cable would be the backup and stop the fixture from falling to the ground. So do NOT fix the safety cable to the same place that the "C" clamp is attached



13 Cleaning and maintenance

Regular maintenance is an effective way to extend the service life of the light fixture.
Please just:

Clean the light fixture!

Turn off the Panel.

Using a small vacuum cleaner, suck the dust and “fur balls” out.

Do not use a can of CO_2 . That will just blast the dust and dirt everywhere!
vacuum the light fixture on a regular basis.

Use only a moist lint-free cloth. Never use alcohol or solvents to clean the light fixture.
Never spray anything onto/inside the light fixture.