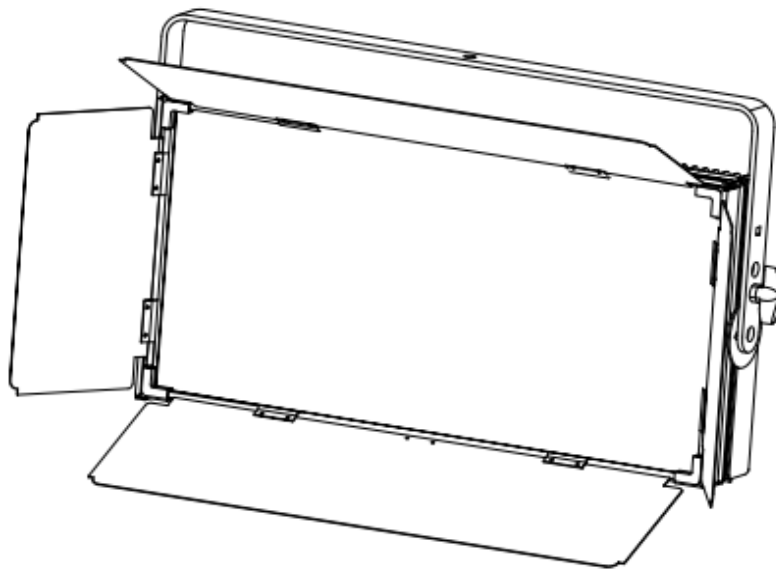





Full Color LED PANEL
EP300 RGBWW



User Manual

CE RoHS  IP20

1 SAFETY INSTRUCTIONS



CAUTION

Be careful with your operations. With a dangerous voltage you can suffer a dangerous electric shock when touching wires!

This device has left the factory in perfect condition. In order to maintain this condition and to ensure a safe operation, it is absolutely necessary for the user to follow the safety instructions and warning notes written in this user manual.



IMPORTANT

Damages caused by the disregard of this user manual are not subject to warranty. The dealer will not accept liability for any resulting defects or problems.

If the device has been exposed to temperature changes due to environmental changes, do not switch it on immediately. The arising condensation could damage the device.

Leave the device switched off until it has reached room temperature.

This device falls under protection-class I. Therefore, it is essential that the device be earthed.

The electric connection must carry out by qualified person. The device shall only be used with rate voltage and frequency.

Make sure that the available voltage is not higher than stated at the end of this manual.

Make sure the power cord is never crimped or damaged by sharp edges. If this would be the case, replacement of the cable must be done by an authorized dealer.

Always disconnect from the mains, when the device is not in use or before cleaning it. Only handle the power cord by the plug. Never pull out the plug by tugging the power cord.

During initial start-up some smoke or smell may arise. This is a normal process and does not necessarily mean that the device is defective, it should decrease gradually.

Please don't project the beam onto combustible substances.

Fixtures cannot be installed on combustible substances, keep more than 50cm distance with wall for smooth air flow, so there should be no shelter for fans and ventilation for heat radiation.

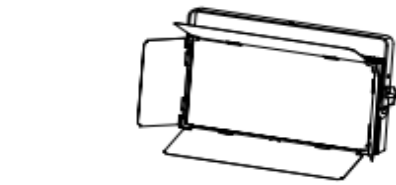
If the external flexible cable or cord of this luminaire is damaged, it shall be exclusively replaced by the manufacturer or his service agent or a similar qualified person in order to avoid a hazard.

2 Unpacking

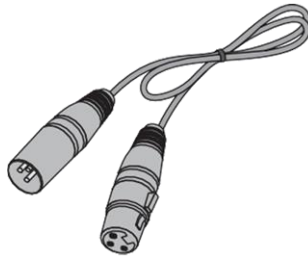
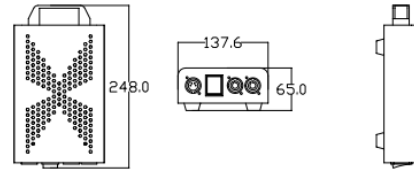
Thank you for choosing EverSirius Full color LED Panel EP300 RGBWW. For your own safety, please read this manual before installing the device. This manual covers the important information on installation and application. Please install and operate the fixture with following the instructions. Meanwhile, please keep this manual well for future needs.

EverSirius Full color LED Panel EP300 RGBWW is made of a new type of high temperature strength of cast aluminum casing with nice outlook. The fixture is designed and manufactured strictly following CE&RoHS standards, complying with international standard DMX512 protocol. It's available independently controlled and linkable with each other for operation. And it is applicable for studios, TV stations, theaters, large-scale live performances, and so on.

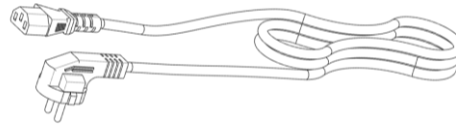
EP300 RGBWW adopts 858pcs* RGB 3in1(R*0.12w/G*0.17w/B*0.17w) +Y (880pcs*0.35w) + W (880pcs*0.35w) LED which features high brightness and stability. Please carefully unpack it when you receive the fixture and check whether it is damaged during the transportation. And please check whether the following items are included inside the box:



①

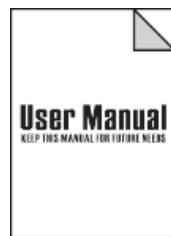


②



③

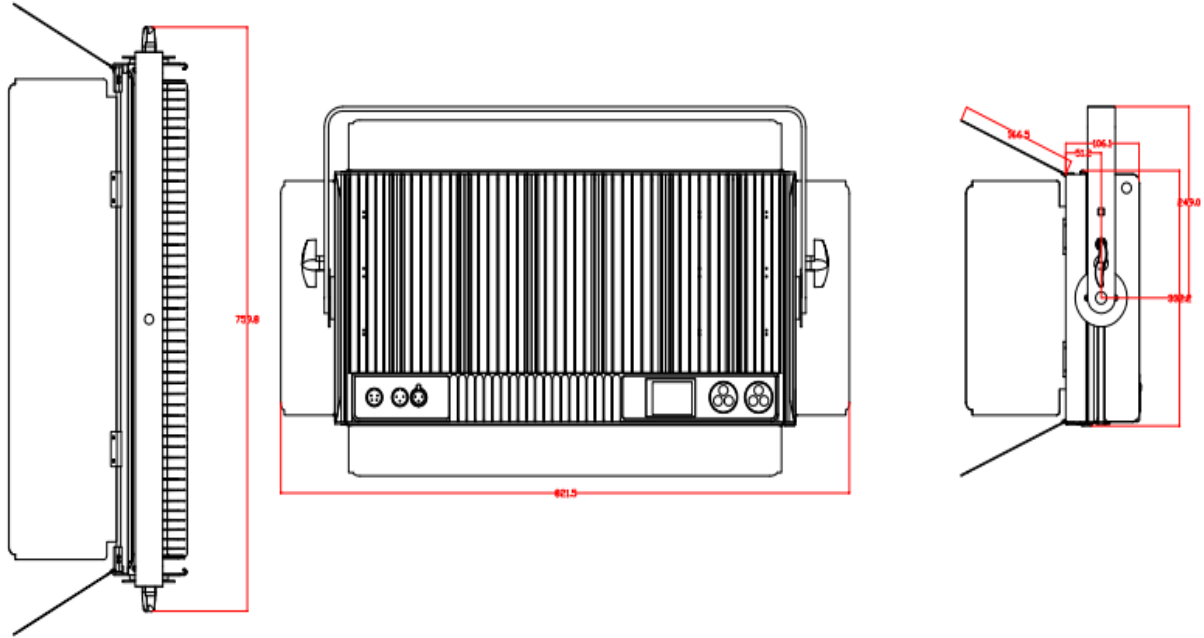
④



① EP300 RGBWW	1PC
② DMX cable	1PC
③ Power supply+cable	1PC
④ User Manual	1PC

3 FEATURES & SPECIFICATIONS

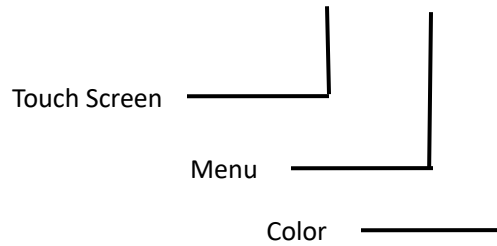
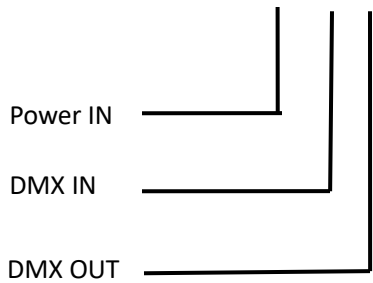
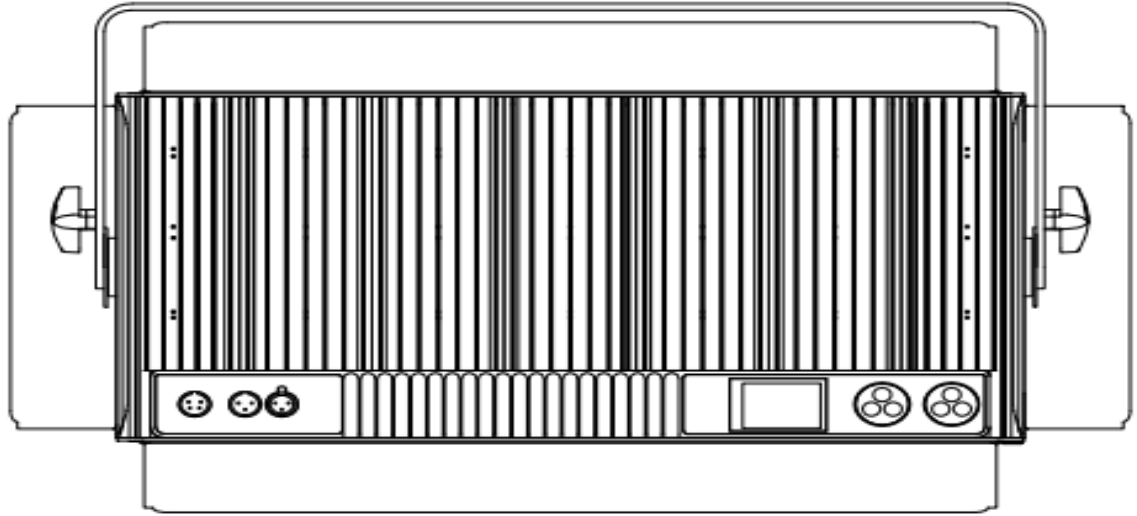
Features:
RGB 858pcs 3in1 (R*0.12w/G*0.17w/B*0.17w) +Y (880pcs*0.35w) + W (880pcs*0.35w)
*2,700K to 8,000K adjustable color temperature
*50,000 hours life time and low power consumption
*Color Rendering Index (CRI): Ra≥95
*0~100% linearly adjustable
*High intensity, long throw and 180° wide field angle
*Housing made by rugged, Die casting Aluminum
*High-strength single handle design
*Barn door included
*4 kinds of dimming curve
*Dimming Frequency: 500HZ - 25000HZ optional
*10 DMX channels
*Control Protocol: DMX, Auto run and Master/Slave control system
*LCD with touch screen
*Fan-less no noise cooling system
*Working Temperature: -10~40°C
*IP20 protection rating
Specifications:
*Input Voltage:AC100-240V 50/60Hz
*Max. Power: 300W
*Dimensions: 760(D)*106(W)*415.6(H)mm
*Net Weight: 12kg
*Gross Weight: 15kg
*Packing size: 84*49.5*19cm(1pc/carton)



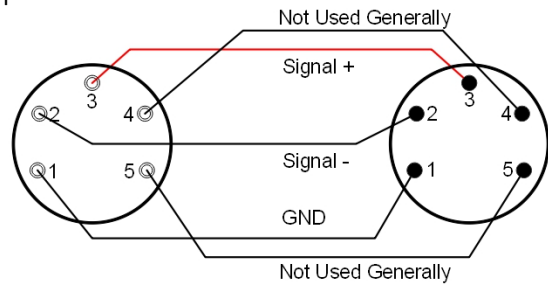
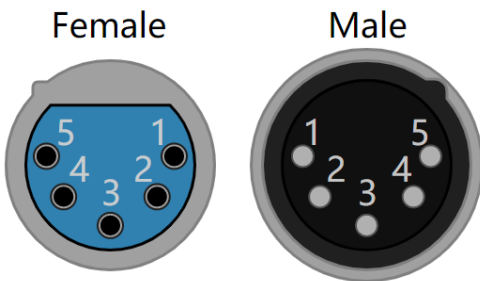
4 DMX-512 CONTROL CONNECTIONS

Connect the provided XLR cable to the female 5-pin XLR output of your controller and the other side to the male 5-pin XLR input of the moving head. You can chain multiple moving head together through serial linking. The cable needed should be two core, screened cable with XLR input and output connectors. Please refer to the diagram below.

DMX-512 connection with DMX terminator



- Pin1: Signal Common
- Pin2: Data 1-
- Pin3: Data 1+
- Pin4: Data 2-
- Pin5: Data 2+



DMX Lead (5 pin XLR - 5 pin XLR)

For installations where the DMX cable has to run a long distance or is in an electrically noisy environment, it is recommended to use a DMX terminator. This helps in preventing corruption of the digital control signal by electrical noise. The DMX terminator is simply an XLR plug with a 120 Ω resistor connected between pins 2 and 3, which is then plugged into the output XLR socket of the last fixture in the chain. Please see illustrations below.

5 Product Features

- **2 kinds of running model**
 - External control mode (Slave model)
 - ◆ DMX 512 controller control (2 kinds channel modes)
 - ◆ Master/slave model control (auto match the signal from controller and the Master light, no need to set by menu)
 - static mode (Master model)
 - ◆ It can fix any color without the controller
- **Non-linear dimmer and linear dimmer**
 - The speed of dimmer can be set under the controller control
- **Screen Protect**
 - It will enter blank screen without any operate on the keyboard in 30 seconds. Press any keys then it can quit screen protection.
- **Temperature Protection**
 - It can be set to temperature protection mode
- **Can be Reverse display**

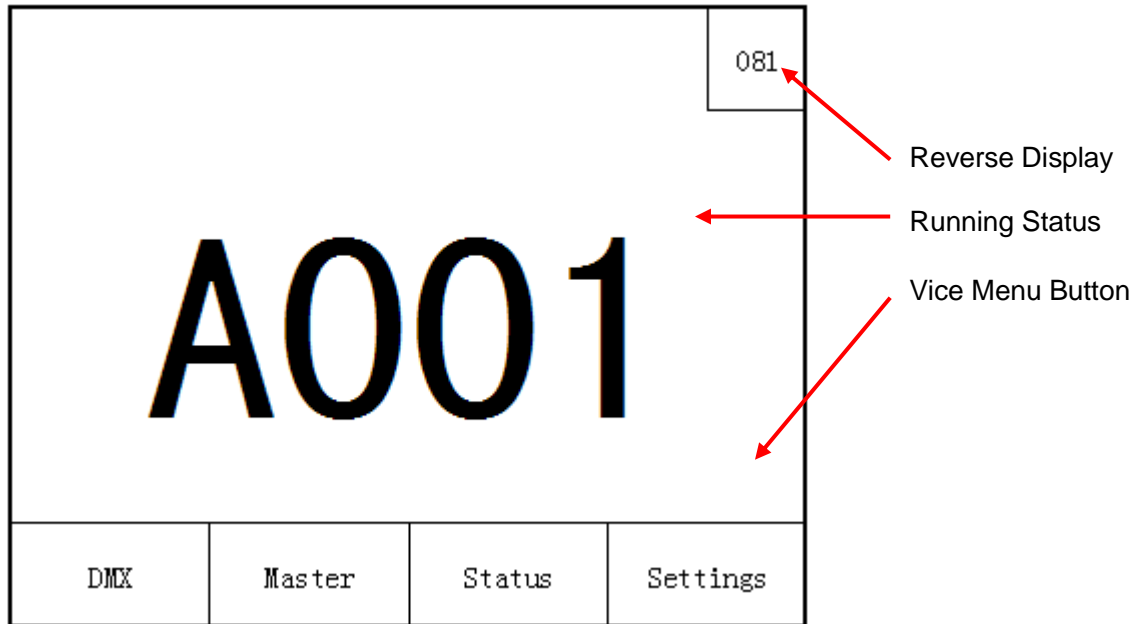
Multi-light working in the same time

When using the controller to control multiple lights to work together, the controller just sends the channel data. And please take attention for the follow situation:

1. There will be many situations make the lights are not synchronization in the beginning. (For example: the different time of opening the light, or different time of them connect to the controller) .In this case, you can change value of the controller(for example push 20 to 0, and back to 20), then it can be synchronization.
2. Due to crystal frequency of different lights are not the same exactly, so it may not be synchronization after long time.
3. If need to keep synchronization for long time, there are two ways to do so:
 - A. Using the controller to edit program, auto run effect, then they must be synchronization.
 - B. Using the Maser/Slave model

6 *Main Menu*

6.1 Main Menu



6.2 Operation Status

Mode	Display	Description
DMX Mode	Axxx	"A" stands for standard channel mode, "xxx" stands for ID address, Auto identify controller signals or host signals
Manual	M-MC	"M" stands for Host Mode, "MC" stands for "Manual Control"

7 Vice Menu

7.1 DMX Settings

Menu	Operation	Option	Description
DMX Start Address	Press key of "OK" enter to edit mode, press "UP" and "down" to edit the DMX address	1~512	
DMX Profile	Press key of "OK" change the DMX channel mode	10CH	Standard Channel Mode
		5 CH	Basic Channel Mode

7.2 Master Mode Choice

Menu	Operation	Vice Menu description
Lighting Mode	Press Key of "OK" to choose mode	Lighting Mode(8 kinds)
Filters	Same as above	Filters effect(10 kinds)
Special Effect	Same as above	Special effect(7 kinds)
LM/F Flashing	Same as above	Flashing effect of lighting mode and filters
HSI Cycle	Same as above	HSI circle effect

7.3 Status

Menu	Description
Software	Name of software
Version	Version
Temperature	Show the temperature of lighting fixture
DMX Status	With"OK" (Slave mode, with signal), "NONE" (Slave mode, no signal), "Master" and others

7.4 Settings

Menu	Operation	Option	Description
Touch Screen Calibration	Touch screen adjust		
White Point Edit	Color temperature correction		
Dimmer Frequency	Change the dimmer frequency	500Hz	
		
		25000Hz	
Dimmer Curve	Change dimmer curve	Standard	
		Incandescent	
		Linear	
		Quick	
Over Temperature	Temperature setting	80-100	Each 5 for increase or decrease
Backlight	Adjust the display brightness	10%~100%	Each 5% for increase or decrease
Backlight Timeout	Screen protect setting	No screen protect or black screen from 5~ 60 second	Each 5 for increase or decrease
Load Factory Settings	Reset		

7.5 Screw operation

For example of “changing the brightness under the master mode”

1. In main menu, turn the knob 1 and choose “Master”, press knob 1 for enter.
2. In the menu of “white point”, turn the knob 1, choose the “Intensity”
3. Press knob 1 enter editing status.
4. Turn knob 1 for choosing the brightness (Long press for increase or decrease continuously)
5. Press knob 1 exit edit status.

8 DMX CHANNELS

Standard channel mode(10CH)

Channel	Function	Value	Remarks
1	Dimmer	000-255	
2	Lighting Mode	000-028	OFF
		029-056	CCT
		057-084	HSI
		085-112	RGBW
		113-140	Tungsten
		141-168	Sodium Vepour
		169-196	Metal Halide
		197-224	Fluorescent
		225-255	Street
3	Special Effect	000-031	OFF
		032-062	Storm
		063-093	Cop Car
		094-124	Candle Light
		125-155	Soft Disco
		156-186	Hard Disco
		187-217	Monitor
		218-255	Multi Flash
4	Filters	000-023	OFF
		024-046	L3202
		047-069	L3203
		070-092	L3204
		093-115	L3208
		116-138	L3216
		189-161	L3407
		162-184	L3411
		185-207	L3408
		208-230	L3409
231-255	L3418		

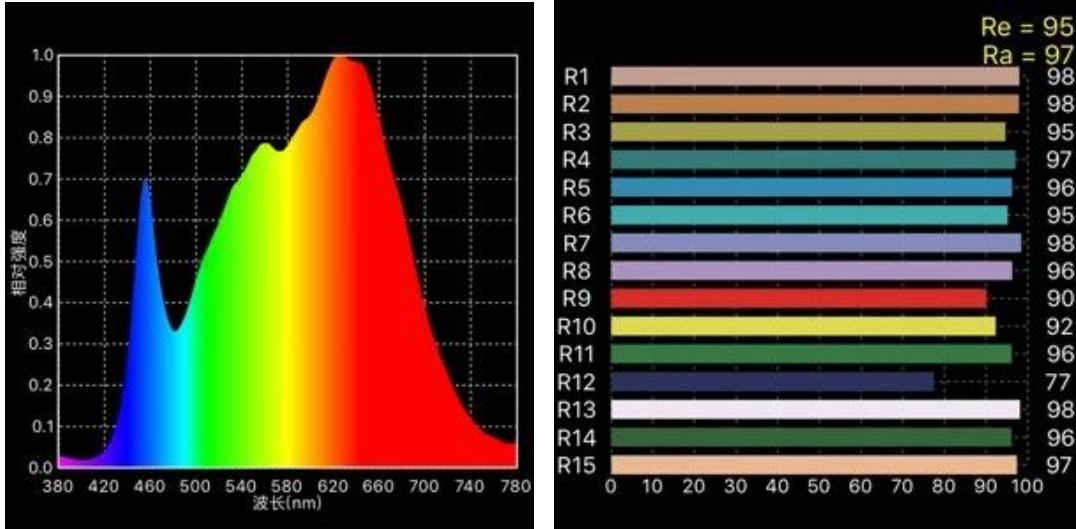
5	Hint:Pls use 2nd,3rd,4th channel to choose one function at first, then use 5th channel to make setting the first parameter of that function.			
	Lighting Mode			
	CCT	Adjust color temperature	000-255	2700K-8000K
	HSI	Choose light color	000-255	0-360 degree
	RGBW	R (Mix red color)	000-255	
	Tungsten	R+(Red compensation)	000-255	
	Sodium Vepour	Null		
	Metal Halide	Null		
	Fluorescent	Warmer	000-085	
		Cooler	086-172	
		Neutral	173-255	
	Street	YW	000-063	
		WW	064-127	
		NW	128-191	
		CW	192-255	
	Special Effect			
	Storm	Frequency	000-255	
	Cop Car	B	000-063	
		RB	064-127	
		BW	128-191	
		RBW	192-255	
	Candle Light	SPD	000-255	
	Soft Disco	SPD	000-255	
Hard Disco	SPD	000-255		
Monitor	SPD	000-255		
Multi Flash	Frequency	000-255		
Filters				
	3200K	000-127	Switch between 2 modes	
	5600K	128-255		

6	Hint:Pls use 2nd,3rd,4th channel to choose one function at first, then use 6th channel to make setting the second parameter of that function.			
	Lighting Mode			
	CCT	GN (Red, green compensation)	000-019	Null compensation
			020-120	(-50)-0
			121-154	Null compensation
			155-255	0-(+50)
	HSI	SAT(Saturation)	000-255	
	RGBW	G(Mix green color)	000-255	
	Tungsten	G+(Green compensation)	000-255	
	Sodium Vepour	Null		
	Metal Halide	Null		
	Fluorescent	Null		
	Street	Null		
	Special Effect			
	Storm	SPD	000-255	
	Cop Car	Single	000-042	6 kinds mode switching
		Double	043-084	
		Quint_All	085-126	
		Quint	127-168	
		Quad	169-210	
		Cycle	211-255	
	Candle Light	Warmer	000-085	
		Cooler	086-172	
		Neutral	173-255	
	Soft Disco	SAT	000-255	
	Hard Disco	Colors3	000-032	8 kinds color mode switching
		Colors6	033-064	
		Colors9	065-096	
Colors12		097-128		
Colors15		129-160		
Colors18		161-192		
Colors21		193-224		
Colors24		225-255		
Monitor	Warmer	000-085		
	Cooler	086-172		

6		Neutral	173-255	
	Multi Flash	Modern	000-127	
		Blue	128-255	
7	Hint:Pls use 2nd,3rd,4th channel to choose one function at first, then use 7th channel to make setting the third parameter of that function.			
	Lighting Mode			
	CCT	R+(Red Compensation)	000-255	
	HIS	Null		
	RGBW	B(Green Compensation)	000-255	
	Tungsten	B+(Blue Compensation)	000-255	
	Special Effect			
	Storm	Suspend	000-127	
Start		128-255		
8	Hint:Pls use 2nd,3rd,4th channel to choose one function at first, then use 8th channel to make setting the fourth parameter of that function.			
	Lighting Mode			
	CCT	G+(Green Compensation)	000-255	
	HSI	Null		
	RGBW	W(Mixed white color)	000-255	
9	Hint:Pls use 2nd,3rd,4th channel to choose one function at first, then use 9th channel to make setting the fifth parameter of that function.			
	Lighting Mode			
	CCT	B+(Blue Compensation)	000-255	
	HIS	Circulation OFF	000-004	
Circle		005-255		
10	Flicker (Lighting mode and filter flicker, no flicker for special effects)			
	Lighting Mode, Filters	No flashing	000-010	
		Flashing Speed (255 max)	011-255	

9 Photographic Chart (Spectrogram & CRI)

Ra ≥ 95



10 OPERATION & SPECIFICATIONS

- This 300W Led Soft Panel is for on-site decoration purpose.
- Don't turn on the light fixture if it's been through severe temperature difference like after transportation because it might damage the fixture due to the environment changes. So, make sure to operate the fixture until it is in normal temperature.
- The fixture should be kept away from strong shaking during any transportation or movement.
- Don't pull up the fixture by only the head, or it might cause damages to the mechanical parts.
- Don't expose the fixture in overheat, moisture or environment with too much dust when installing it. And don't lay any power cables on the floor. Or it might cause electronic shock to the people.
- Make sure the installation place is in good safety condition before installing the fixture.
- Make sure to put the safety chain and check whether the screws are screwed properly when installing the fixture.
- Make sure the fixture is operated by qualified personnel who knows the fixture before using.
- Keep the original packages if any second shipment is needed.
- Don't try to change the fixtures without any instruction by the manufacturer or the appointed repairing agencies.
- It is not in warranty range if there are any malfunctions from not following the user manual to operate or any illegal operation, like shock short circuit, electronic shock, lamp broke, etc.

11 INSTALLATIONS

For added protection, mount the fixtures in areas outside walking paths, seating areas, or in areas where the fixture might be reached by unauthorized personnel.

Before mounting the fixture to any surface, make sure that the installation area can hold a minimum point load of 10 times the device's weight.

Fixture installation must always be secured with a secondary safety attachment, such as an appropriate safety cable.

Never stand directly below the device when mounting, removing, or servicing the fixture.

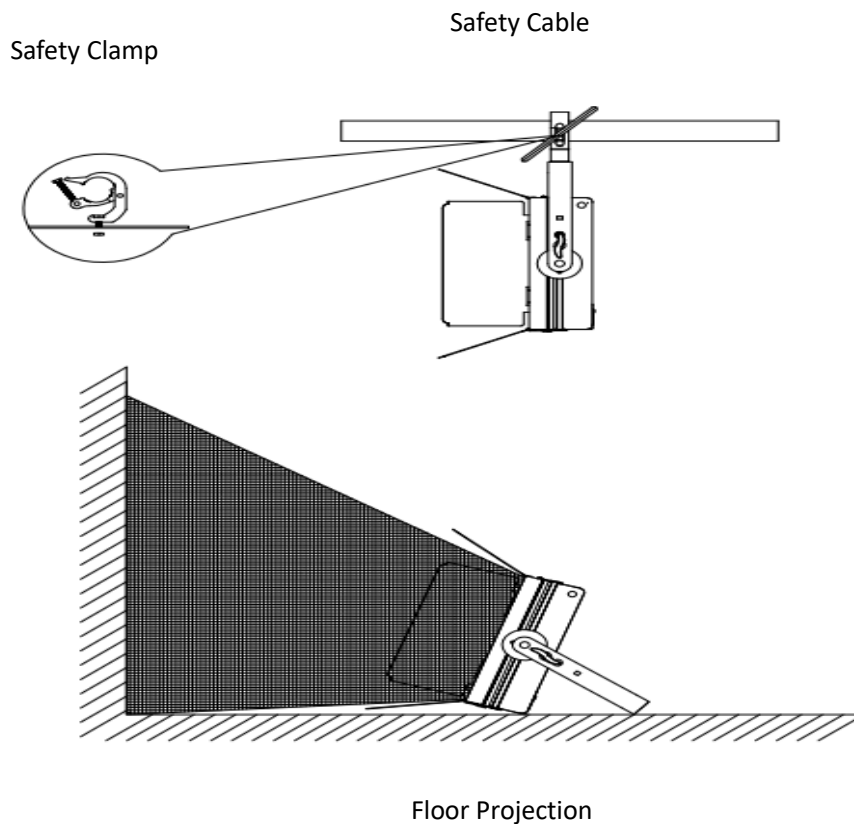
From a ceiling, or set on a flat level surface (see illustration below). Be sure this fixture is kept at least 0.5m (1.5 ft) away from any flammable materials (decoration etc.).

Please ensure that the light fixture is hung using the appropriate "C" clamp or half cheeseboro. A safety chain or cable should also be used as a secondary point of holding the fixture in case the clamp comes loose. Never hang the fixture without a safety chain or cable. There is an eye-bolt on the back of the fixture to which the safety chain or cable can threaded through and then hung from the secondary point. Make sure the Gel frame (Gel holder) is clipped into position correctly and cannot come loose.

If you are not qualified or have any doubts about hanging the light fixture, then do NOT hang it.

Do not clamp the safety cable to the U bracket or clamp. That is not a secondary safety point. A secondary safety point is any point that will adequately hold the led soft panel light if the "C" clamp or half cheeseboro fails.

Then the safety cable would be the backup and stop the fixture from falling to the ground. So do NOT fix the safety cable to the same place that the "C" clamp is attached



12 Cleaning and maintenance

Regular maintenance is an effective way to extend the service life of the light fixture.
Please just:

Clean the light fixture!

Turn off the Panel.

Using a small vacuum cleaner, suck the dust and “fur balls” out.

Do not use a can of CO_2 . That will just blast the dust and dirt everywhere!
vacuum the light fixture on a regular basis.

Use only a moist lint-free cloth. Never use alcohol or solvents to clean the light fixture.
Never spray anything onto/inside the light fixture.